



## DD SuperLight - Pyramid Tent & DD SuperLight - Pyramid Mesh Tent



Photo shows DD SuperLight Pyramid Tent (left) & Pyramid Mesh Tent (right). Both tents sold separately.

Designed to work in unison, but effective also as standalone tents, the DD Pyramid, and Pyramid - Mesh tents offer full waterproofing and insect-proofing respectively, and are some of the lightest tents in their class.

All you will need for a quick and simple set up is one Hiking Pole, sold separately, or an overhead point such as a strong branch or ridgeline.

### What's Included



#### DD Pyramid Tent (SuperLight/MC) includes:

- DD SuperLight OR Multicam Pyramid Tent
- 13 x SuperLight Pegs
- 5 x 2m guylines

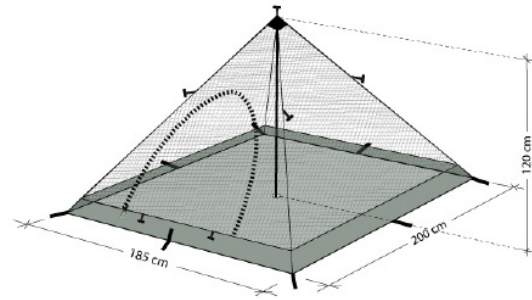
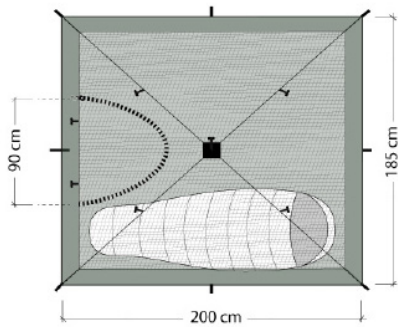


#### DD SuperLight Pyramid Mesh Tent includes:

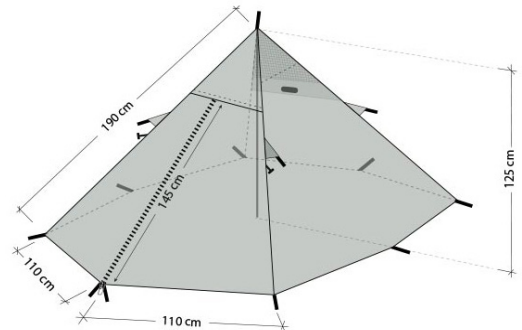
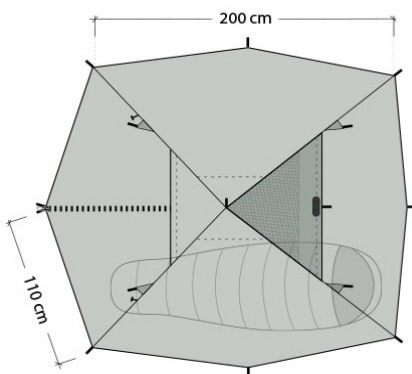
- DD SuperLight Pyramid Mesh Tent
- 8 x SuperLight Pegs

## Dimensions

### DD SuperLight Pyramid Mesh Tent



### DD Pyramid Tent (SuperLight / MC)



## Choosing your pitch

- Try to find a level area of ground upon which to pitch your tent. This will avoid uncomfortable sliding during the night.
- Remove all sharp objects from the ground before spreading out the tent. Stones, debris or pine-cones do not make for a comfortable mattress, and can cause damage to the material.

## Ventilation

Did you know the human body can release up to 0.5 litres of water every night, through breathing alone? Sometimes, condensation is inevitable when camping. However, to help avoid moisture build up, try to maintain a good airflow through your tent by keeping any vents open, and choosing a dryer and more open campsite.

## Watch your feet!

When walking around at camp, make sure to avoid tripping or colliding with the guy-lines. Always keep children and pets under close supervision, and keep a torch handy when it gets dark. Nobody likes a nasty surprise on the way back from a call of nature!

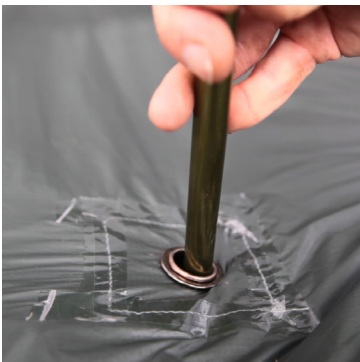
**Any damage arising from trips or falls over the guy-lines or tent material will not be covered by our warranty.**

## Setting Up the DD SuperLight - Pyramid Mesh Tent



Choose a level, firm and dry surface to pitch your tent, and clear away any sharp objects (rocks / sticks) from the ground surface

Spread out the Pyramid Mesh Tent on the ground (it should form a square) & tautly peg out the corner attachment points.



Open the zippered entrance, and insert the pointed end of your Hiking Pole into the eyelet on the tent's floor.

Make sure that the pointed end seats firmly into the ground, whilst avoiding direct contact between the point and the floor material.



Extend both sections of your hiking pole until the walls of the tent are pulled taut (around 120cm), keeping the handle of the pole in the reinforced pocket at the apex of the tent. **Take care not to over-extend the Hiking Pole.**

Lock off your Hiking Pole when the correct height is reached. The tent will now be a taut pyramid shape.



If needed, re-tension the corner pegs and peg out the intermediate points along the sides.

You are now ready to set up the DD SuperLight - Pyramid Tent over the top (see next page), or in dry conditions, enjoy a night with a view of the stars safe from insects.

## Use Without Hiking Pole

The DD SuperLight - Pyramid Tent can be Set up without a Hiking Pole, instead using the attachment point on the top of the tent.

You can use a taut ridgeline between trees through this point to lift the tent once the corner points are pegged out. Similarly, a guy-line can be used, by attaching to an overhead point above the tent, such as a sturdy branch (or a roof fixture if used indoors as mosquito net).

## Setting Up your DD Pyramid Tent



With the DD SuperLight Pyramid Mesh Tent already set up, place the Pyramid Tent over the top, making sure the corners and door are in alignment.



Loosely peg out the corners, in line with those of the inner tent. Make sure that the door is closed for this step.

For this stage, we are looking to create an equal gap between the outer and inner tent all the way around to avoid any misbalanced tension.



Once all corners are pegged out, the corners can be tensioned.

We recommend that you work on opposing sides, gradually increasing tension equally around the perimeter of the tent.



Peg out the door attachment points together with one peg to create the "porch" section.

Taking care not to over-tension one side, you can then peg out the guy-lines to a suitable length.

Your 2-layer insect and waterproof tent is now ready to unzip so you can jump inside!

## Using Tents Separately

**Note:** The DD SuperLight - Pyramid Tent can be used as a standalone product for camping in conditions where insect-proofing is not necessary. All you will need to do is extend the hiking pole in the centre to around 125cm in height once the corners are pegged out. The tent can then be re-tensioned and guyed out as above.

Alternatively, as with the Pyramid Mesh Tent, a ridge-line between trees or a guy-line to an overhead point can be used in place of the hiking pole to lift the apex of the tent, with the aid of the attachment point on top.